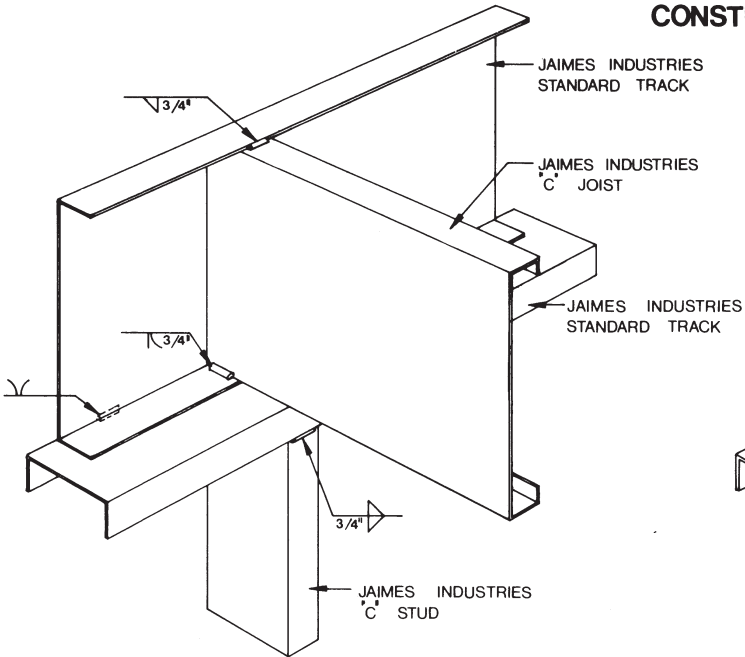
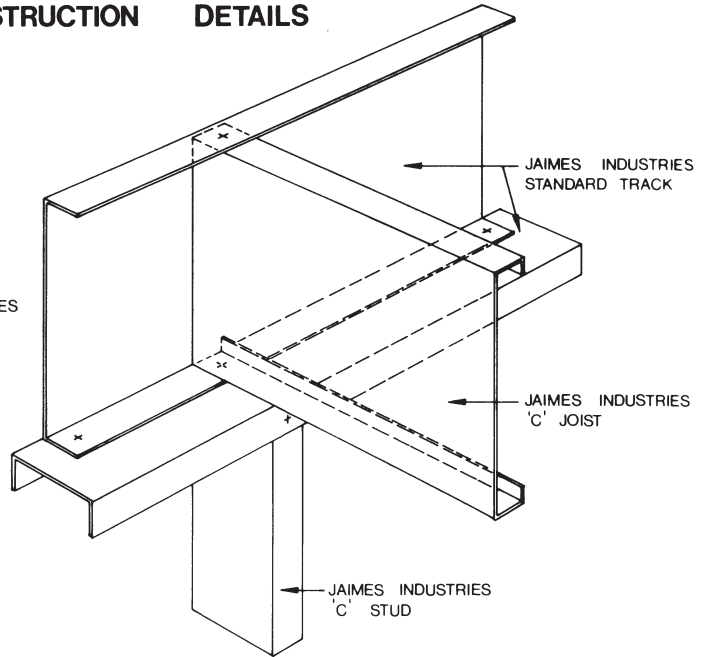


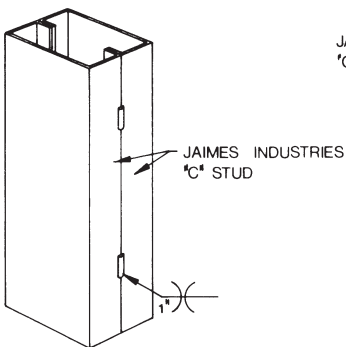
CONSTRUCTION DETAILS



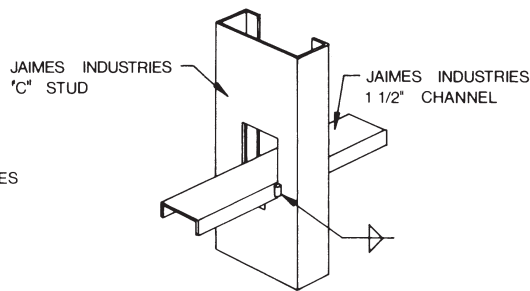
JOIST TO STUD WELDED ASSEMBLY



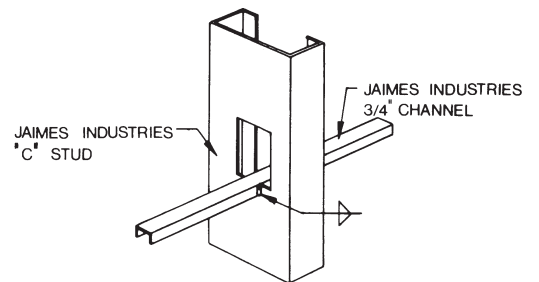
JOIST TO STUD SCREWED ASSEMBLY



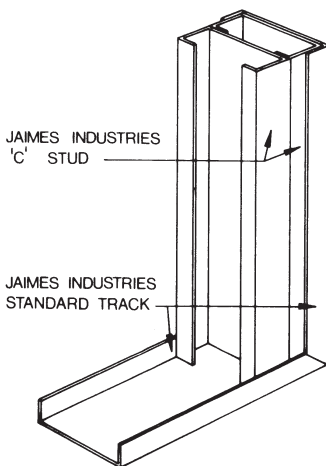
MULTIPLE STUD ATTACHMENT



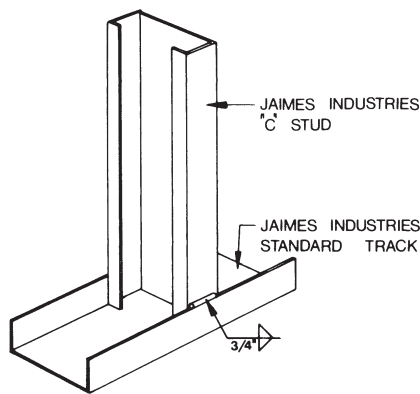
LATERAL STUD BRACING WELD ATTACHMENT



LATERAL STUD BRACING WELD ATTACHMENT

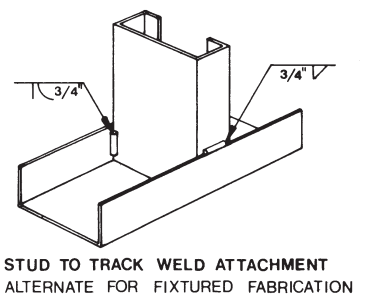


DOOR JAMB

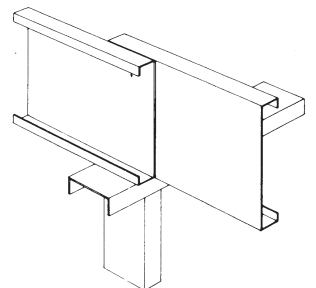


STUD TO TRACK ATTACHMENT FILLET WELD

Alternate: In place of welding approved screwed connections may be used on all details.

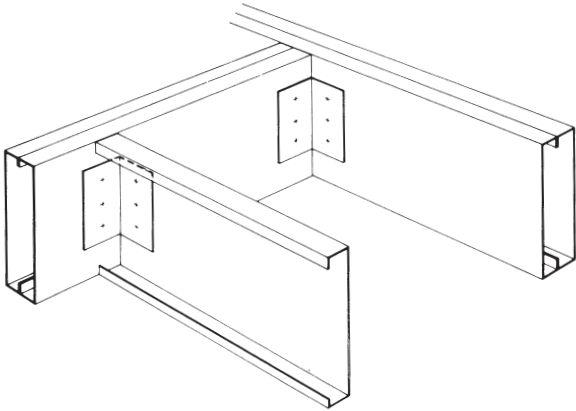


STUD TO TRACK WELD ATTACHMENT ALTERNATE FOR FIXTURED FABRICATION

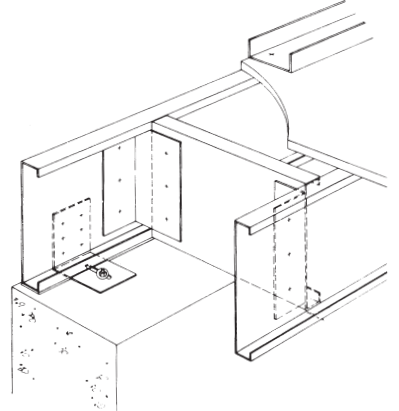


JOIST LAPPED OVER BEARING WALL

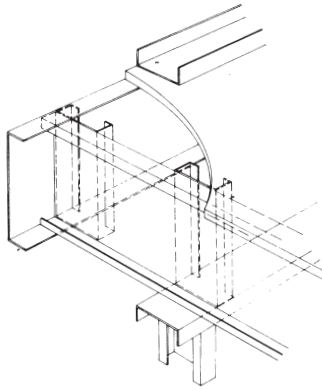
CONSTRUCTION DETAILS



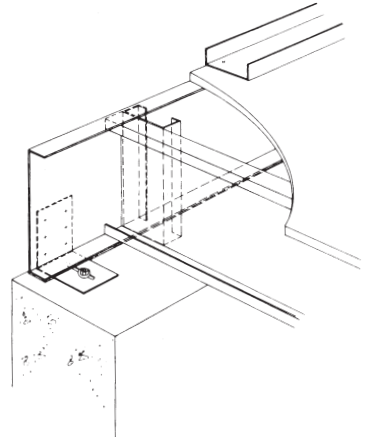
FLOOR OPENING HEADER



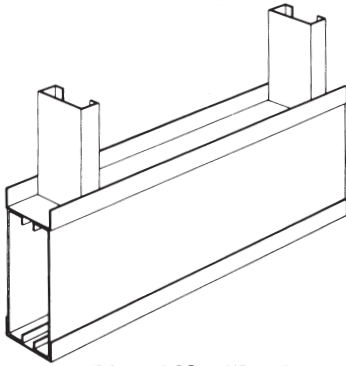
JOIST PARALLEL TO CONCRETE WALL



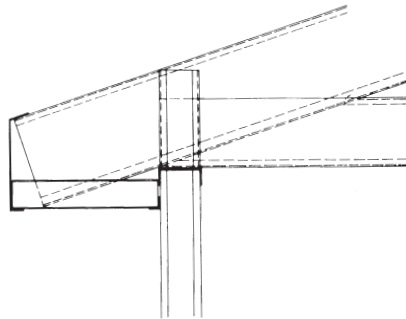
CANTILEVERED FLOOR



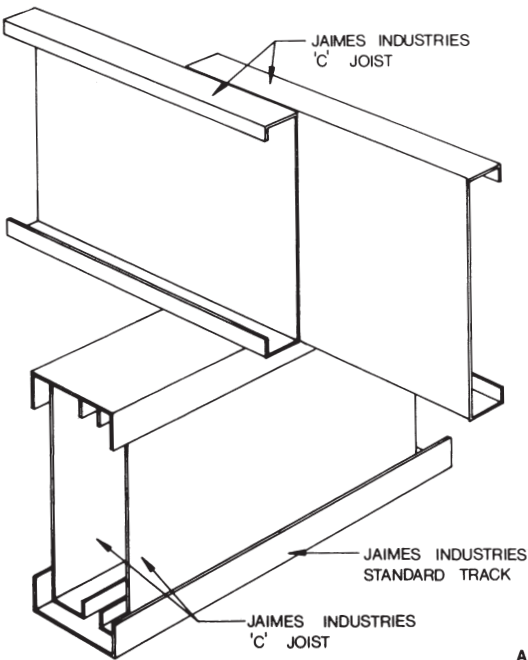
JOIST ON CONCRETE WALL



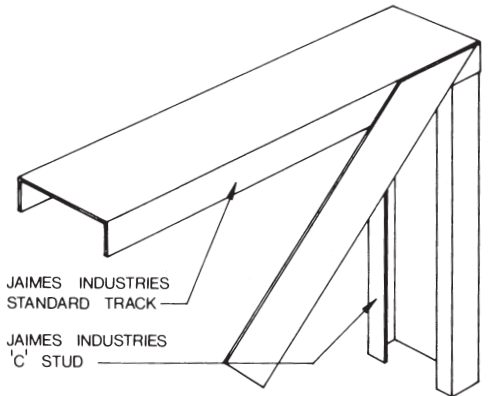
WINDOW & DOOR HEADER



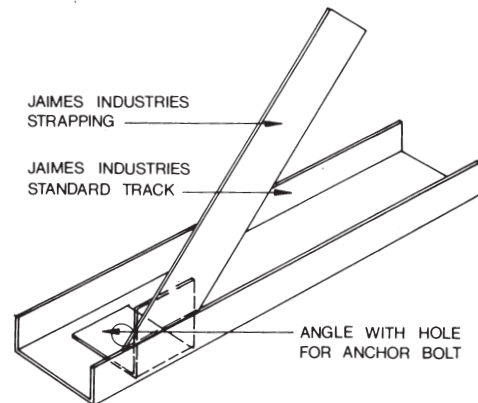
ROOF OVERHANG



HEADER



JAIMES INDUSTRIES STANDARD TRACK
JAIMES INDUSTRIES 'C' STUD



JAIMES INDUSTRIES STRAPPING
JAIMES INDUSTRIES STANDARD TRACK
ANGLE WITH HOLE FOR ANCHOR BOLT

Alternate: In place of welding approved screwed connections may be used on all details.

WIND BRACE STRAPPING